



3.3V/2.5V LVCMOS Clock Fanout Buffer

Features

- Configurable 10 outputs LVCMOS Clock distribution buffer
- Compatible to single, dual and mixed 3.3V/2.5V Voltage supply
- Wide range output clock frequency up to 250MHz
- Designed for mid-range to high-performance telecom, networking and computer applications
- Supports high-performance differential clocking applications
- Max. output skew of 200pS (150pS within one bank)
- Selectable output configurations per output bank
- Tristatable outputs
- 32 LQFP and TQFP Packages
- Ambient Operating temperature range of -40 to 85°C
- Pin and Function compatible to MPC9456

Functional Description

The ASM2I99456 is a 2.5V and 3.3V compatible 1:10 clock distribution buffer designed for low-voltage mid-range to high-performance telecom, networking and computing applications. Both 3.3V, 2.5V and dual supply voltages are supported for mixed-voltage applications. The ASM2I99456 offers 10 low-skew outputs and a differential LVPECL clock input. The outputs are configurable and support 1:1 and 1:2 output to input frequency ratios. The ASM2I99456 is

specified for the extended temperature range of -40 to 85°C.

The ASM2I99456 is a full static design supporting clock frequencies up to 250 MHz. The signals are generated and retimed on-chip to ensure minimal skew between the three output banks.

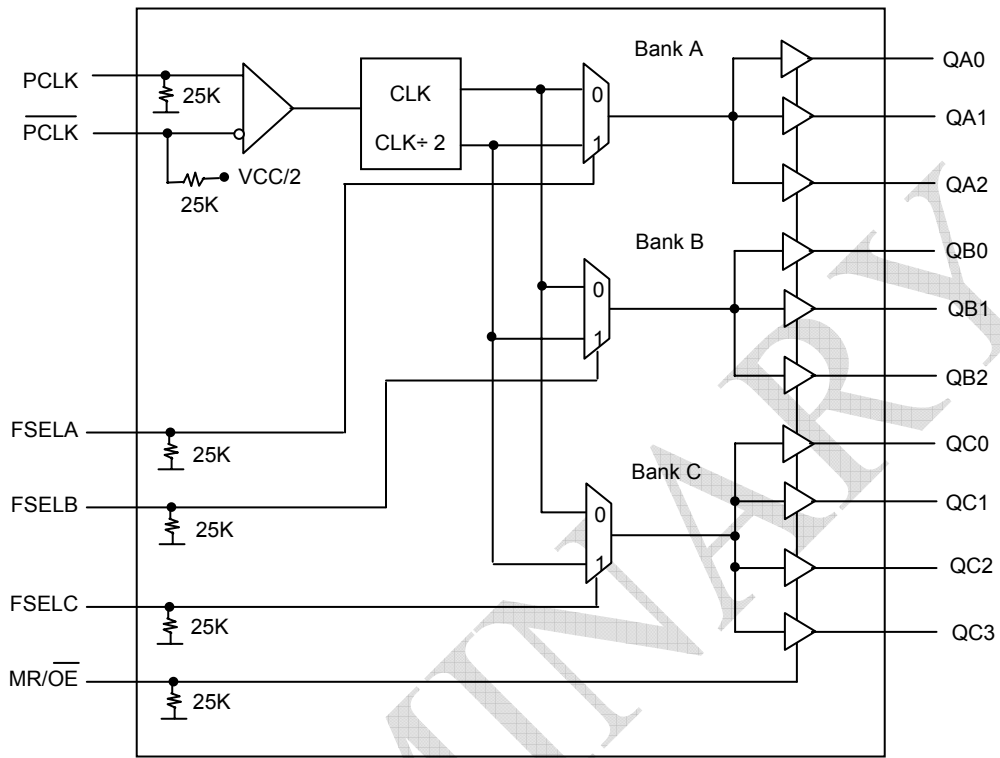
Each of the three output banks can be individually supplied by 2.5V or 3.3V supporting mixed voltage applications. The FSELx pins choose between division of the input reference frequency by one or two. The frequency divider can be set individually for each of the three output banks. The ASM2I99456 can be reset and the outputs are disabled by deasserting the MR/ $\overline{\text{OE}}$ pin (logic high state). Asserting MR/ $\overline{\text{OE}}$ will enable the outputs.

All control inputs accept LVCMOS signals while the outputs provide LVCMOS compatible levels with the capability to drive terminated 50 Ω transmission lines. The clock input is low voltage PECL compatible for differential clock distribution support. Please consult the ASM2I99446 specification for a full CMOS compatible device. For series terminated transmission lines, each of the ASM2I99456 outputs can drive one or two traces giving the devices an effective fanout of 1:20. The device is packaged in a 7x7 mm² 32-lead LQFP and TQFP Packages.



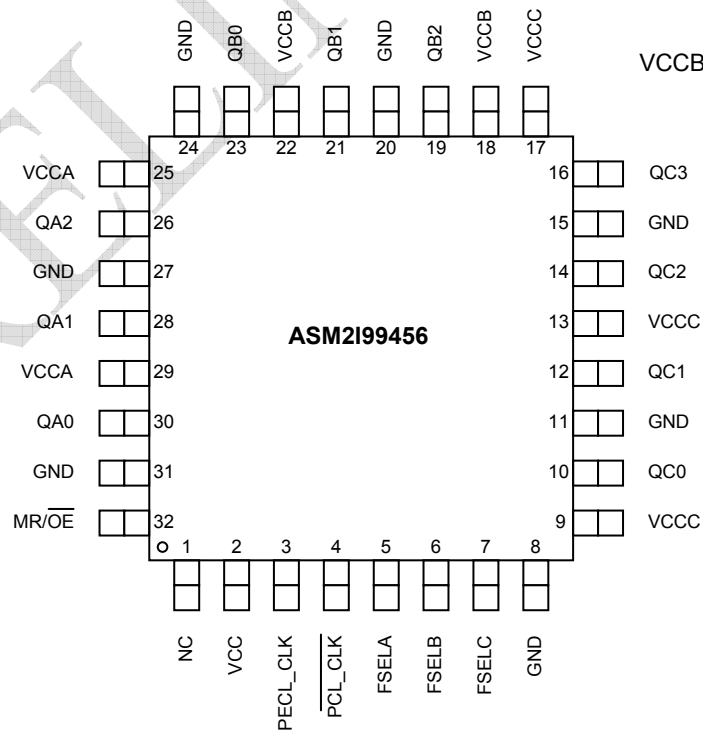
rev 0.2

Block Diagram



ASM2199456 Logic Diagram

Pin Configuration





rev 0.2

Table 1. Pin Configuration

Pin Number	Pin	I/O	Type	Function
3 4	PECL_CLK, PECL_CLK	Input	LVPECL	Differential Clock reference Low Voltage positive ECL input
5,6,7	FSELA, FSELB, FSELC	Input	LVC MOS	Output bank divide select input
32	MR/OE	Input	LVC MOS	Internal reset and output tristate control
8,11,15,20,24,27,31	GND		Supply	Negative Voltage supply output bank (GND)
25,29 18,22 9,13, 17	VCCA, VCCB ¹ , VCCC		Supply	Positive Voltage supply for output banks
2	VCC		Supply	Positive Voltage supply core (VCC)
30,28,26	QA0 - QA2	Output	LVC MOS	Bank A Outputs
23,21,19	QB0 - QB2	Output	LVC MOS	Bank B Outputs
10,12,14,16	QC0 - QC3	Output	LVC MOS	Bank C Outputs
1	NC	-	-	No Connect

Note:1 VCCB is internally connected to VCC.

Table 2. Supported Single and Dual Supply Configurations

Supply voltage configuration	VCC ¹	VCCA ²	VCCB ³	VCCC ⁴	GND
3.3V	3.3V	3.3V	3.3V	3.3V	0V
Mixed voltage supply	3.3V	3.3V or 2.5V	3.3V	3.3V or 2.5V	0 V
2.5V	2.5V	2.5V	2.5V	2.5V	0 V

Note: 1 VCC is the positive power supply of the device core and input circuitry. VCC voltage defines the input threshold and levels

2 VCCA is the positive power supply of the bank A outputs. VCCA voltage defines bank A output levels

3 VCCB is the positive power supply of the bank B outputs. VCCB voltage defines bank B output levels. VCCB is internally connected to VCC.

4 VCCC is the positive power supply of the bank C outputs. VCCC voltage defines bank C output levels

Table 3. Function Table (Controls)

Control	Default	0	1
FSELA	0	$f_{QA0:2} = f_{REF}$	$f_{QA0:2} = f_{REF} \div 2$
FSELB	0	$f_{QB0:2} = f_{REF}$	$f_{QB0:2} = f_{REF} \div 2$
FSELC	0	$f_{QC0:3} = f_{REF}$	$f_{QC0:3} = f_{REF} \div 2$
MR/OE	0	Outputs enabled	Internal reset Outputs disabled (tristate)

Table 4. Absolute Maximum Ratings¹

Symbol	Characteristics	Min	Max	Unit	Condition
V _{CC}	Supply Voltage	-0.3	4.6	V	
V _{IN}	DC Input Voltage	-0.3	V _{CC} +0.3	V	
V _{OUT}	DC Output Voltage	-0.3	V _{CC} +0.3	V	
I _{IN}	DC Input Current		±20	mA	
I _{OUT}	DC Output Current		±50	mA	
T _S	Storage temperature	-40	125	°C	

Note: These are stress ratings only and are not implied for functional use. Exposure to absolute maximum ratings for prolonged periods of time may affect device reliability.



rev 0.2

Table 5. General Specifications

Symbol	Characteristics	Min	Typ	Max	Unit	Condition
V_{TT}	Output Termination Voltage		$V_{CC} \pm 2$		V	
MM	ESD Protection (Machine Model)	200			V	
HBM	ESD Protection (Human Body Model)	2000			V	
LU	Latch-Up Immunity	200			mA	
C_{PD}	Power Dissipation Capacitance		10		pF	Per output
C_{IN}	Input Capacitance		4.0		pF	

Table 6. DC Characteristics ($V_{CC} = V_{CCA} = V_{CCB} = V_{CC} = 3.3V \pm 5\%$, $T_A = -40$ to $+85^\circ C$)

Symbol	Characteristics	Min	Typ	Max	Unit	Condition
V_{IH}	Input high voltage	2.0		$V_{CC} + 0.3$	V	LVC MOS
V_{IL}	Input low voltage	-0.3		0.8	V	LVC MOS
V_{PP}	Peak-to-peak input voltage	PCLK	250		mV	LVPECL
V_{CMR}^1	Common Mode Range	PCLK	1.1	$V_{CC} - 0.6$	V	LVPECL
I_{IN}	Input current ²			200	μA	$V_{IN} = GND$ or $V_{IN} = V_{CC}$
V_{OH}	Output High Voltage	2.4			V	$I_{OH} = -24 mA^3$
V_{OL}	Output Low Voltage			0.55 0.30	V V	$I_{OL} = 24mA^2$ $I_{OL} = 12mA$
Z_{OUT}	Output impedance		14 - 17		Ω	
I_{CCQ}^4	Maximum Quiescent Supply Current			2.0	mA	All VCC Pins

Note: 1 V_{CMR} (DC) is the crosspoint of the differential input signal. Functional operation is obtained when the crosspoint is within the V_{CMR} range and the input swing lies within the V_{PP} (DC) specification.

2 Input pull-up / pull-down resistors influence input current.

3 The ASM2I99456 is capable of driving 50 Ω transmission lines on the incident edge. Each output drives one 50 Ω parallel terminated transmission line to a termination voltage of V_{TT} . Alternatively, the device drives up to two 50 Ω series terminated transmission lines.

4 I_{CCQ} is the DC current consumption of the device with all outputs open and the input in its default state or open



rev 0.2

Table 7. AC Characteristics (VCC = VCCA = VCCB = VCCC = 3.3V ± 5%, T_A = -40 to +85°C)¹

Symbol	Characteristics		Min	Typ	Max	Unit	Condition
f _{ref}	Input Frequency		0		250 ²	MHz	
f _{MAX}	Maximum Output Frequency	±1 output	0		250 ²	MHz	FSELx=0
		±2 output	0		125	MHz	FSELx=1
V _{PP}	Peak-to-peak input voltage	PCLK	500		1000	mV	LVPECL
V _{CMR} ³	Common Mode Range	PCLK	1.3		VCC-0.8	V	LVPECL
t _{P, REF}	Reference Input Pulse Width		1.4			nS	
t _r , t _f	PCLK Input Rise/Fall Time				1.0 ⁴	nS	0.8 to 2.0V
t _{PLH}	Propagation delay	CCLK to any Q	2.2	2.8	4.45	nS	
t _{PHL}		CCLK to any Q	2.2	2.8	4.2	nS	
t _{PLZ, HZ}	Output Disable Time				10	nS	
t _{PZL, LZ}	Output Enable Time				10	nS	
t _{sk(O)}	Output-to-output Skew				150	pS	
	Within one bank				200	pS	
	Any output bank, same output divider				350	pS	
t _{sk(PP)}	Device-to-device Skew				2.25	nS	
t _{SK(P)}	Output pulse skew ⁵				200	pS	
DC _Q	Output Duty Cycle	±1 output	47	50	53	%	DC _{REF} = 50%
		±2 output	45	50	55	%	DC _{REF} = 25%-75%
t _r , t _f	Output Rise/Fall Time		0.1		1.0	nS	0.55 to 2.4V

Note: 1 AC characteristics apply for parallel output termination of 50Ω to V_{TT}.

2 The ASM2199456 is functional up to an input and output clock frequency of 350MHz and is characterized up to 250 MHz.

3 V_{CMR} (AC) is the crosspoint of the differential input signal. Normal AC operation is obtained when the crosspoint is within the V_{CMR} range and the input swing lies within the V_{PP} (AC) specification.

4 Violation of the 1.0nS maximum input rise and fall time limit will affect the device propagation delay, device-to-device skew, reference input pulse width, output duty cycle and maximum frequency specifications.

5 Output pulse skew is the absolute difference of the propagation delay times: | t_{PLH} - t_{PHL} |.

Table 8. DC Characteristics (VCC = VCCA = VCCB = VCCC = 2.5V ± 5%, T_A = -40 to +85°C)

Symbol	Characteristics		Min	Typ	Max	Unit	Condition
V _{IH}	Input high voltage		1.7		V _{CC} + 0.3	V	LVC MOS
V _{IL}	Input low voltage		-0.3		0.7	V	LVC MOS
V _{PP}	Peak-to-peak Input voltage	PCLK	250			mV	LVPECL
V _{CMR} ¹	Common Mode Range	PCLK	1.1		V _{CC} -0.7	V	LVPECL
V _{OH}	Output High Voltage		1.8			V	I _{OH} = -24 mA ²
V _{OL}	Output Low Voltage				0.6	V	I _{OL} = 15 mA
Z _{OUT}	Output impedance			17 - 20 ²		Ω	
I _{IN}	Input current ³				±200	μA	V _{IN} =GND or V _{IN} =V _{CC}
I _{CCQ} ⁴	Maximum Quiescent Supply Current				2.0	mA	All VCC Pins

Note: 1 V_{CMR} (DC) is the crosspoint of the differential input signal. Functional operation is obtained when the crosspoint is within the V_{CMR} range and the input swing lies within the V_{PP} (DC) specification.

2 The ASM2199456 is capable of driving 50Ω transmission lines on the incident edge. Each output drives one 50Ω parallel terminated transmission line to a termination voltage of V_{TT}. Alternatively, the device drives up to two 50Ω series terminated transmission lines.

3 Input pull-up / pull-down resistors influence input current.

4 I_{CCQ} is the DC current consumption of the device with all outputs open and the input in its default state or open



rev 0.2

Table 9. AC Characteristics ($V_{CC} = V_{CCA} = V_{CCB} = V_{CCC} = 2.5V \pm 5\%$, $T_A = -40$ to $+85^\circ\text{C}$)¹

Symbol	Characteristics	Min	Typ	Max	Unit	Condition	
f_{ref}	Input Frequency	0		250 ²	MHz		
f_{MAX}	Maximum Output Frequency	± 1 output	0	250 ²	MHz	FSELx=0	
		± 2 output	0	125	MHz	FSELx=1	
V_{PP}	Peak-to-peak input voltage	PCLK	500	1000	mV	LVPECL	
V_{CMR} ³	Common Mode Range	PCLK	1.1	VCC-0.7	V	LVPECL	
$t_{P, REF}$	Reference Input Pulse Width		1.4		nS		
t_r, t_f	PCLK Input Rise/Fall Time			1.0 ⁴	nS	0.7 to 1.7V	
t_{PLH} t_{PHL}	Propagation delay	PCLK to any Q	2.6	5.6	nS		
		PCLK to any Q	2.6	5.5	nS		
$t_{PLZ, HZ}$	Output Disable Time			10	nS		
$t_{PZL, LZ}$	Output Enable Time			10	nS		
$t_{sk(O)}$	Output-to-output Skew Within one bank Any output bank, same output divider Any output, Any output divider			150	pS		
				200	pS		
				350	pS		
$t_{sk(PP)}$	Device-to-device Skew			3.0	nS		
$t_{SK(P)}$	Output pulse skew ⁵			200	pS		
DC_Q	Output Duty Cycle	± 1 or ± 2 output	45	50	55	%	$DC_{REF} = 50\%$
t_r, t_f	Output Rise/Fall Time		0.1	1.0	nS	0.6 to 1.8V	

Note: 1 AC characteristics apply for parallel output termination of 50Ω to V_{TT} .

2 The ASM2I99456 is functional up to an input and output clock frequency of 350MHz and is characterized up to 250 MHz.

3 V_{CMR} (AC) is the crosspoint of the differential input signal. Normal AC operation is obtained when the crosspoint is within the V_{CMR} range and the input swing lies within the V_{PP} (AC) specification.

4 Violation of the 1.0nS maximum input rise and fall time limit will affect the device propagation delay, device-to-device skew, reference input pulse width, output duty cycle and maximum frequency specifications.

5 Output pulse skew is the absolute difference of the propagation delay times: $|t_{PLH} - t_{PHL}|$.

Table 10. AC Characteristics ($V_{CC} = 3.3V \pm 5\%$, $V_{CCA} = V_{CCB} = V_{CCC} = 2.5V \pm 5\%$ or $3.3V \pm 5\%$, $T_A = -40$ to $+85^\circ\text{C}$)^{1,2}

Symbol	Characteristics	Min	Typ	Max	Unit	Condition	
$t_{sk(O)}$	Output-to-output Skew Within one bank Any output bank, same output divider Any output, Any output divider			150	pS		
				250	pS		
				350	pS		
$t_{sk(PP)}$	Device-to-device Skew			2.5	nS		
$t_{PLH, HL}$	Propagation delay	PCLK to any Q	See 3.3V table				
$t_{SK(P)}$	Output pulse skew ³			250	pS		
DC_Q	Output Duty Cycle	± 1 or ± 2 output	45	50	55	%	$DC_{REF} = 50\%$

Note: 1 AC characteristics apply for parallel output termination of 50Ω to V_{TT} .

2 For all other AC specifications, refer to 2.5V or 3.3V tables according to the supply voltage of the output bank.

3 Output pulse skew is the absolute difference of the propagation delay times: $|t_{PLH} - t_{PHL}|$.



Applications Information

Driving Transmission Lines

The ASM2199456 clock driver was designed to drive high speed signals in a terminated transmission line environment. To provide the optimum flexibility to the user the output drivers were designed to exhibit the lowest impedance possible. With an output impedance of less than 20Ω the drivers can drive either parallel or series terminated transmission lines. In most high performance clock networks point-to-point distribution of signals is the method of choice. In a point-to-point scheme either series terminated or parallel terminated transmission lines can be used. The parallel technique terminates the signal at the end of the line with a 50Ω resistance to $V_{CC}+2$.

This technique draws a fairly high level of DC current and thus only a single terminated line can be driven by each output of the ASM2199456 clock driver. For the series terminated case however there is no DC current draw, thus the outputs can drive multiple series terminated lines. Figure 1. "Single versus Dual Transmission Lines" illustrates an output driving a single series terminated line versus two series terminated lines in parallel. When taken to its extreme the fanout of the ASM2199456 clock driver is effectively doubled due to its capability to drive multiple lines.

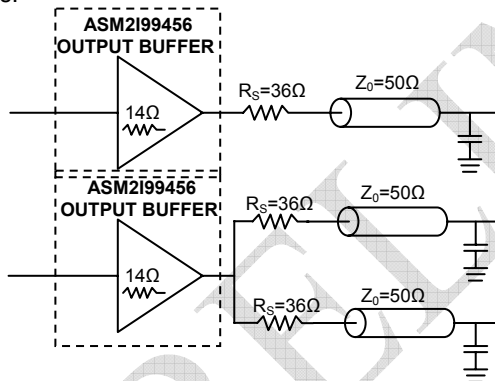


Figure 1. Single versus Dual Transmission Lines

The waveform plots in Figure 2. "Single versus Dual Line Termination Waveforms" show the simulation results of an output driving a single line versus two lines. In both cases the drive capability of the ASM2199456 output buffer is more than sufficient to drive 50Ω transmission lines on the incident edge. Note from the delay measurements in the simulations a delta of only 43pS exists between the two differently loaded outputs. This suggests that the dual line driving need not be used exclusively to maintain the tight output-to-output skew of the ASM2199456. The output waveform in Figure 2. "Single versus Dual Line Termination Waveforms" shows a step in the waveform, this step is caused by the impedance mismatch seen looking into the driver. The

parallel combination of the 36Ω series resistor plus the output impedance does not match the parallel combination of the line impedances. The voltage wave launched down the two lines will equal:

$$V_L = V_S (Z_0 \div (R_S + R_0 + Z_0))$$

$$Z_0 = 50\Omega \parallel 50\Omega$$

$$R_S = 36\Omega \parallel 36\Omega$$

$$R_0 = 14\Omega$$

$$V_L = 3.0 (25 \div (18+14+25))$$

$$= 1.31V$$

At the load end the voltage will double, due to the near unity reflection coefficient, to 2.5V. It will then increment towards the quiescent 3.0V in steps separated by one round trip delay (in this case 4.0nS).

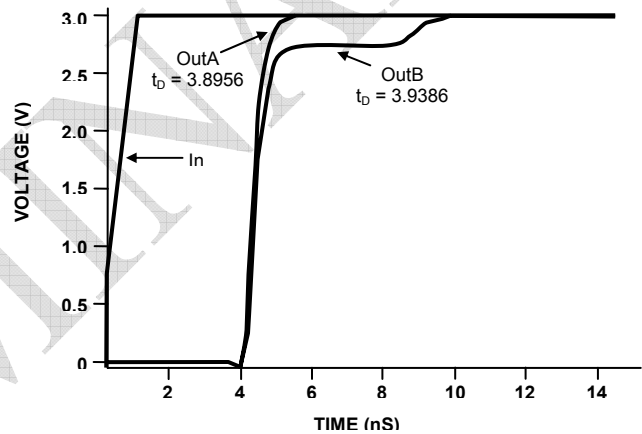


Figure 2. Single versus Dual Waveforms

Since this step is well above the threshold region it will not cause any false clock triggering, however designers may be uncomfortable with unwanted reflections on the line. To better match the impedances when driving multiple lines the situation in Figure 3. "Optimized Dual Line Termination" should be used. In this case the series terminating resistors are reduced such that when the parallel combination is added to the output buffer impedance the line impedance is perfectly matched.

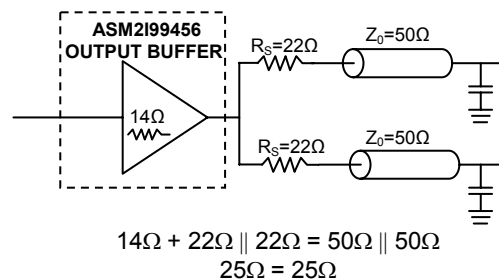


Figure 3. Optimized Dual Line Termination



rev 0.2

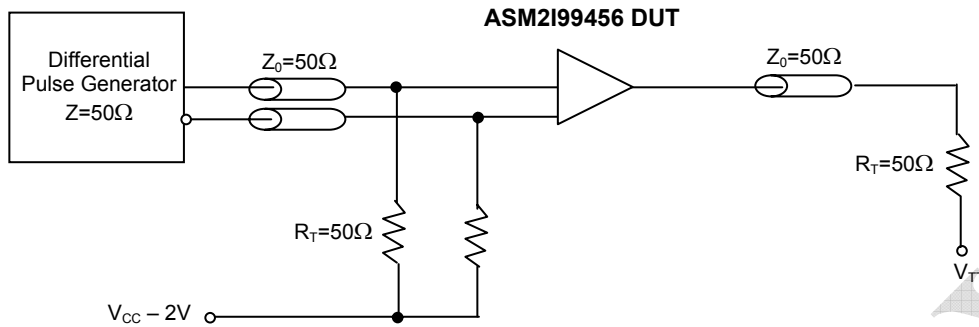


Figure 4. PCLK ASM2199456 AC Test Reference for VCC = 3.3V and VCC = 2.5V

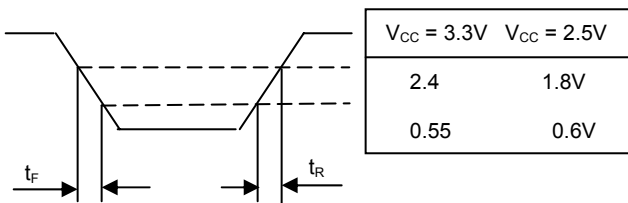


Figure 5. Output Transition Time Test Reference

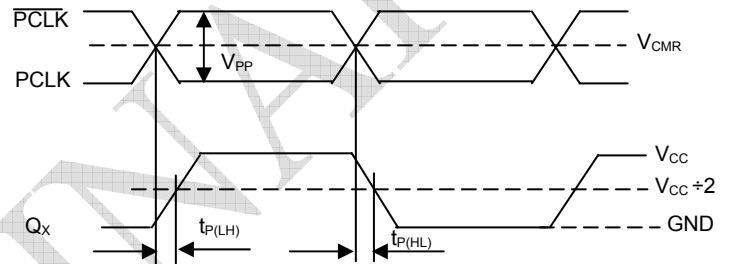
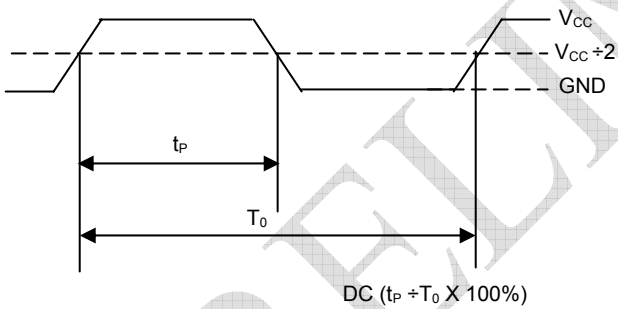
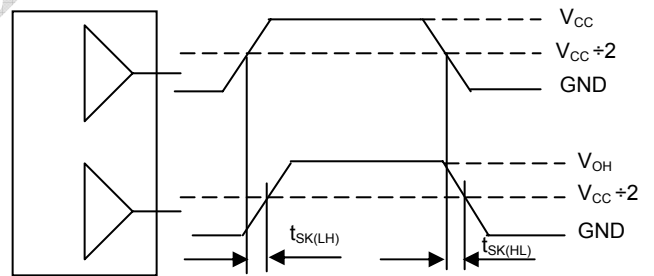


Figure 6. Propagation Delay (t_{PD}) Test Reference



The time from the output controlled edge to the non-controlled edge, divided by the time output controlled edge, expressed as a percentage.

Figure 7. Output Duty Cycle (DC)



The pin-to-pin skew is defined as the worst case difference in propagation delay between any similar delay path within a single device

Figure 8. Output-to-Output Skew $t_{SK(O)}$

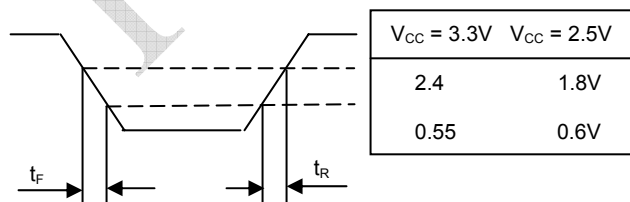


Figure 9. Output Transition Time Test Reference



rev 0.2

Power Consumption of the ASM2199456 and Thermal Management

The ASM2199456 AC specification is guaranteed for the entire operating frequency range up to 250MHz. The ASM2199456 power consumption and the associated long-term reliability may decrease the maximum frequency limit, depending on operating conditions such as clock frequency, supply voltage, output loading, ambient temperature, vertical convection and thermal conductivity of package and board. This section describes the impact of these parameters on the junction temperature and gives a guideline to estimate the ASM2199456 die junction temperature and the associated device reliability.

Table 11. Die junction temperature and MTBF

Junction temperature (°C)	MTBF (Years)
100	20.4
110	9.1
120	4.2
130	2.0

Increased power consumption will increase the die junction temperature and impact the device reliability (MTBF). According to the system-defined tolerable MTBF, the die junction temperature of the ASM2199456 needs to be controlled and the thermal impedance of the board/package should be optimized. The power dissipated in the ASM2199456 is represented in equation 1.

Where I_{CCQ} is the static current consumption of the ASM2199456, C_{PD} is the power dissipation capacitance per output, $(M)\Sigma C_L$ represents the external capacitive output load, N is the number of active outputs (N is always 12 in case of the ASM2199456). The ASM2199456 supports driving transmission lines to maintain high signal integrity and tight timing parameters. Any transmission line will hide the lumped capacitive load at the end of the board trace, therefore, ΣC_L is zero for controlled transmission line systems and can be eliminated from equation 1. Using parallel termination output termination results in equation 2 for power dissipation.

In equation 2, P stands for the number of outputs with a parallel or thevenin termination, V_{OL} , I_{OL} , V_{OH} and I_{OH} are a function of the output termination technique and DC_Q is the clock signal duty cycle. If transmission lines are used ΣC_L is zero in equation 2 and can be eliminated. In general, the use of controlled transmission line techniques eliminates the impact of the lumped capacitive loads at the end lines and greatly reduces the power dissipation of the device. Equation 3 describes the die junction temperature T_J as a function of the power consumption.

Where R_{thja} is the thermal impedance of the package (junction to ambient) and T_A is the ambient temperature. According to Table 11, the junction temperature can be used to estimate the long-term device reliability. Further, combining equation 1 and equation 2 results in a maximum operating frequency for the ASM2199456 in a series terminated transmission line system, equation 4.

$$P_{TOT} = \left[I_{CCQ} + V_{CC} \cdot f_{CLOCK} \cdot \left(N \cdot C_{PD} + \sum_M C_L \right) \right] \cdot V_{CC} \quad \text{Equation 1}$$

$$P_{TOT} = V_{CC} \cdot \left[I_{CCQ} + V_{CC} \cdot f_{CLOCK} \cdot \left(N \cdot C_{PD} + \sum_M C_L \right) \right] + \sum_P \left[DC_Q \cdot I_{OH} \cdot (V_{CC} - V_{OH}) + (1 - DC_Q) \cdot I_{OL} \cdot V_{OL} \right] \quad \text{Equation 2}$$

$$T_J = T_A + P_{TOT} \cdot R_{thja} \quad \text{Equation 3}$$

$$f_{CLOCK,MAX} = \frac{1}{C_{PD} \cdot N \cdot V_{CC}^2} \cdot \left[\frac{T_{J,MAX} - T_A}{R_{thja}} - (I_{CCQ} \cdot V_{CC}) \right] \quad \text{Equation 4}$$



rev 0.2

$T_{J,MAX}$ should be selected according to the MTBF system requirements and Table 11. R_{thja} can be derived from Table 12. The R_{thja} represent data based on 1S2P boards, using 2S2P boards will result in a lower thermal impedance than indicated below.

Table 12. Thermal package impedance of the 32LQFP

Convection, LFPM	R_{thja} (1P2S board), °C/W	R_{thja} (2P2S board), °C/W
Still air	86	61
100 lfpm	76	56
200 lfpm	71	54
300 lfpm	68	53
400 lfpm	66	52
500 lfpm	60	49

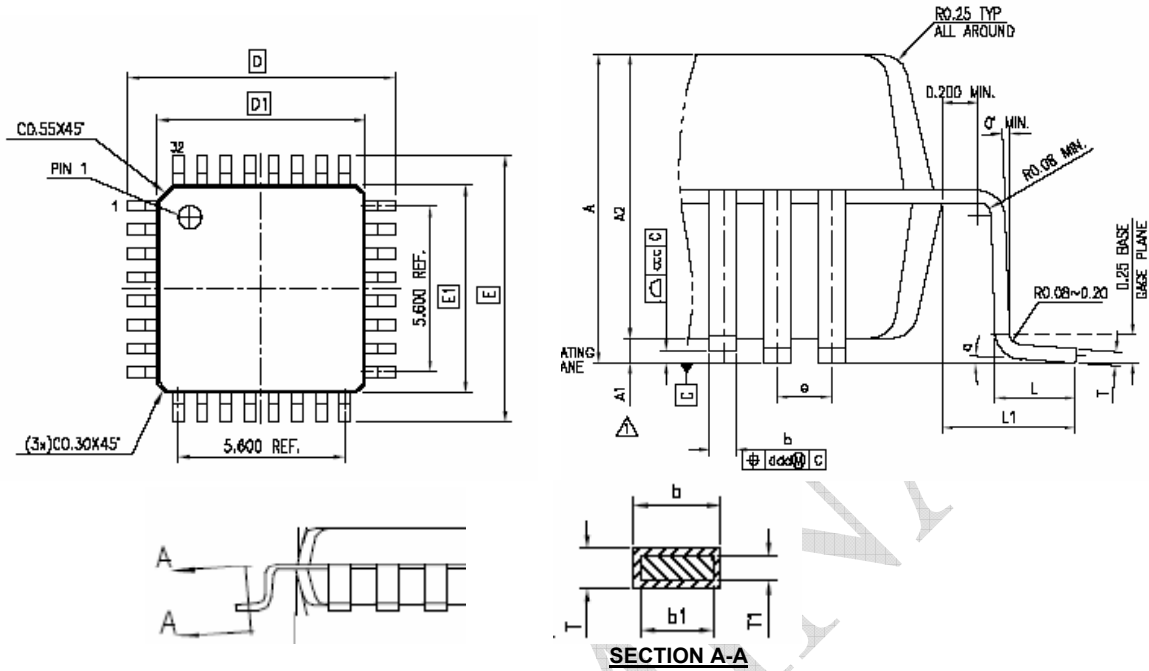
If the calculated maximum frequency is below 350 MHz, it becomes the upper clock speed limit for the given application conditions. The following eight derating charts describe the safe frequency operation range for the ASM2199456. The charts were calculated for a maximum tolerable die junction temperature of 110°C (120°C), corresponding to an estimated MTBF of 9.1 years (4 years), a supply voltage of 3.3V and series terminated transmission line or capacitive loading. Depending on a given set of these operating conditions and the available device convection a decision on the maximum operating frequency can be made.



rev 0.2

Package Information

32-lead LQFP Package

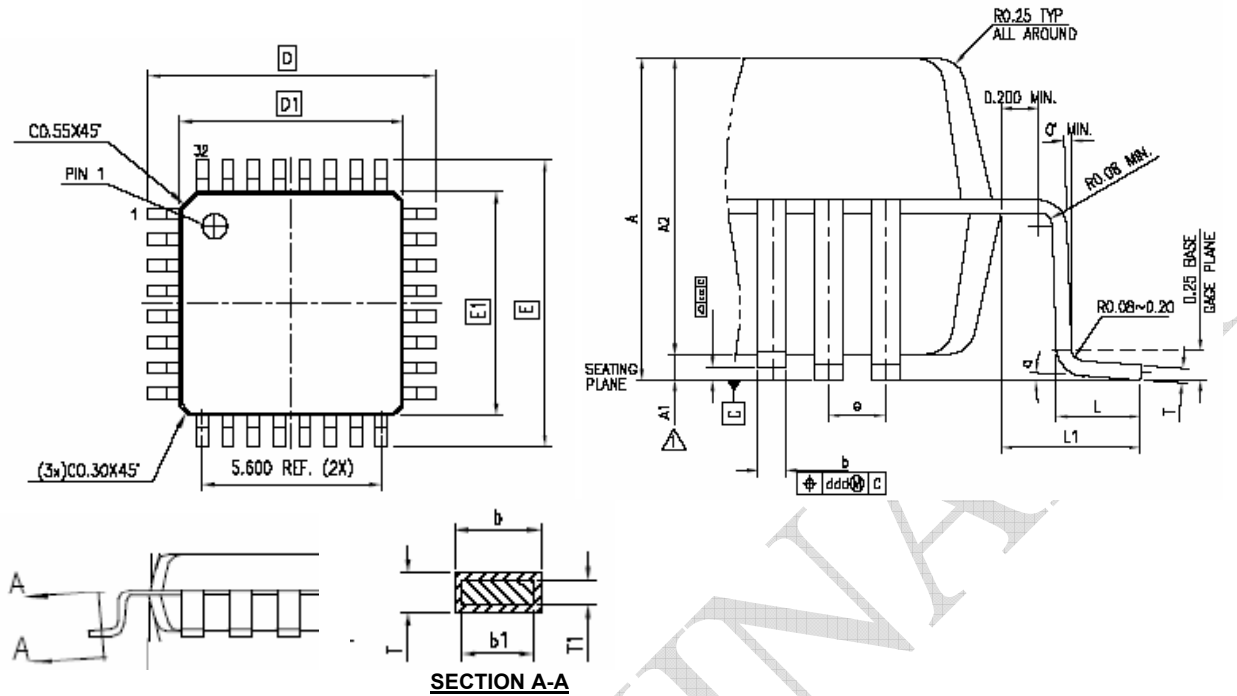


Symbol	Dimensions			
	Inches		Millimeters	
	Min	Max	Min	Max
A	0.0630	...	1.6
A1	0.0020	0.0059	0.05	0.15
A2	0.0531	0.0571	1.35	1.45
D	0.3465	0.3622	8.8	9.2
D1	0.2717	0.2795	6.9	7.1
E	0.3465	0.3622	8.8	9.2
E1	0.2717	0.2795	6.9	7.1
L	0.0177	0.0295	0.45	0.75
L1	0.03937 REF		1.00 REF	
T	0.0035	0.0079	0.09	0.2
T1	0.0038	0.0062	0.097	0.157
b	0.0118	0.0177	0.30	0.45
b1	0.0118	0.0157	0.30	0.40
R0	0.0031	0.0079	0.08	0.20
e	0.031 BASE		0.8 BASE	
a	0°	7°	0°	7°



rev 0.2

32-lead TQFP Package



Symbol	Dimensions			
	Inches		Millimeters	
	Min	Max	Min	Max
A	0.0472	...	1.2
A1	0.0020	0.0059	0.05	0.15
A2	0.0374	0.0413	0.95	1.05
D	0.3465	0.3622	8.8	9.2
D1	0.2717	0.2795	6.9	7.1
E	0.3465	0.3622	8.8	9.2
E1	0.2717	0.2795	6.9	7.1
L	0.0177	0.0295	0.45	0.75
L1	0.03937 REF		1.00 REF	
T	0.0035	0.0079	0.09	0.2
T1	0.0038	0.0062	0.097	0.157
b	0.0118	0.0177	0.30	0.45
b1	0.0118	0.0157	0.30	0.40
R0	0.0031	0.0079	0.08	0.2
a	0°	7°	0°	7°
e	0.031 BASE		0.8 BASE	



rev 0.2

Ordering Information

Part Number	Marking	Package Type	Operating Range
ASM2199456-32-LT	ASM2199456L	32-pin LQFP, Tray	Industrial
ASM2199456-32-LR	ASM2199456L	32-pin LQFP –Tape and Reel	Industrial
ASM2199456G-32-LT	ASM2199456GL	32-pin LQFP, Tray, Green	Industrial
ASM2199456G-32-LR	ASM2199456GL	32-pin LQFP –Tape and Reel, Green	Industrial
ASM2199456-32-ET	ASM2199456E	32-pin TQFP, Tray	Industrial
ASM2199456-32-ER	ASM2199456E	32-pin TQFP –Tape and Reel	Industrial
ASM2199456G-32-ET	ASM2199456GE	32-pin TQFP, Tray, Green	Industrial
ASM2199456G-32-ER	ASM2199456GE	32-pin TQFP –Tape and Reel, Green	Industrial

Device Ordering Information

A S M 2 1 9 9 4 5 6 G - 3 2 - L R

R = Tape & reel, T = Tube or Tray

O = SOT	U = MSOP
S = SOIC	E = TQFP
T = TSSOP	L = LQFP
A = SSOP	U = MSOP
V = TVSOP	P = PDIP
B = BGA	D = QSOP
Q = QFN	X = SC-70

DEVICE PIN COUNT

F = LEAD FREE AND RoHS COMPLIANT PART
G = GREEN PACKAGE

PART NUMBER

X = Automotive (-40C to +125C)	I = Industrial (-40C to +85C)	P or n/c = Commercial (0C to +70C)
1 = Reserved	6 = Power Management	
2 = Non PLL based	7 = Power Management	
3 = EMI Reduction	8 = Power Management	
4 = DDR support products	9 = Hi Performance	
5 = STD Zero Delay Buffer	0 = Reserved	

ALLIANCE SEMICONDUCTOR MIXED SIGNAL PRODUCT

Licensed under US patent #5,488,627, #6,646,463 and #5,631,920.



rev 0.2



Alliance Semiconductor Corporation
2575, Augustine Drive,
Santa Clara, CA 95054
Tel# 408-855-4900
Fax: 408-855-4999
www.alsc.com

Copyright © Alliance Semiconductor
All Rights Reserved
Part Number: ASM2I99456
Document Version: 0.2

Note: This product utilizes US Patent # 6,646,463 Impedance Emulator Patent issued to Alliance Semiconductor, dated 11-11-2003

© Copyright 2003 Alliance Semiconductor Corporation. All rights reserved. Our three-point logo, our name and Intelliwatt are trademarks or registered trademarks of Alliance. All other brand and product names may be the trademarks of their respective companies. Alliance reserves the right to make changes to this document and its products at any time without notice. Alliance assumes no responsibility for any errors that may appear in this document. The data contained herein represents Alliance's best data and/or estimates at the time of issuance. Alliance reserves the right to change or correct this data at any time, without notice. If the product described herein is under development, significant changes to these specifications are possible. The information in this product data sheet is intended to be general descriptive information for potential customers and users, and is not intended to operate as, or provide, any guarantee or warranty to any user or customer. Alliance does not assume any responsibility or liability arising out of the application or use of any product described herein, and disclaims any express or implied warranties related to the sale and/or use of Alliance products including liability or warranties related to fitness for a particular purpose, merchantability, or infringement of any intellectual property rights, except as express agreed to in Alliance's Terms and Conditions of Sale (which are available from Alliance). All sales of Alliance products are made exclusively according to Alliance's Terms and Conditions of Sale. The purchase of products from Alliance does not convey a license under any patent rights, copyrights; mask works rights, trademarks, or any other intellectual property rights of Alliance or third parties. Alliance does not authorize its products for use as critical components in life-supporting systems where a malfunction or failure may reasonably be expected to result in significant injury to the user, and the inclusion of Alliance products in such life-supporting systems implies that the manufacturer assumes all risk of such use and agrees to indemnify Alliance against all claims arising from such use.